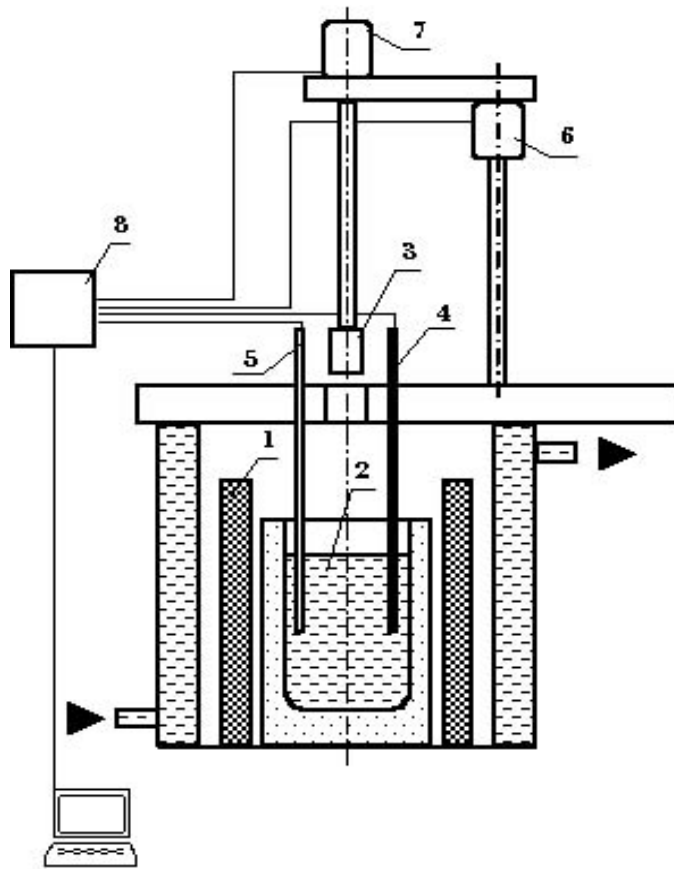




Equipment for research of physics-chemical properties of liquid smelts

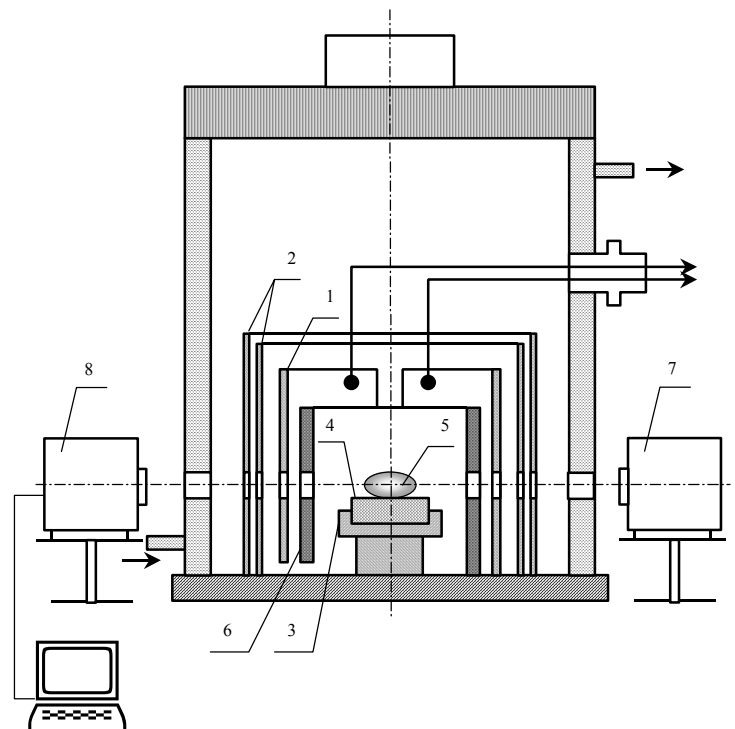


Scheme of plant for reseach of dissolution of hard materials in smelts by method of revolving disk with equally accessible surface

1 - heater; 2 - smelt; 3 - pattern;
4 - electrolytic cell; 5 - thermocouple;
6 - engine of lift; 7 - engine rotaton;
8 - block of management and measurement

Scheme of complex apparatus for research of surface properties of melt by method of lying drop

1 - heater; 2 - protective screen;
3 - table; 4 - underline; 5 - drop of melt;
6 - ceramic screen; 7 - source of light;
8 - camera recorder



Please forward your proposals and suggestions to:

34/1 Vernadsky Avenue, 03680, Kiev-142, Ukraine, Physico-Technological Institute of Metals and Alloys of the National Academy of Sciences of Ukraine. Tel. (044) 444-35-15, Fax (044) 459-50-29, E-mail: metal@ptima.kiev.ua