



## Melting-distributing furnace for aluminum alloys

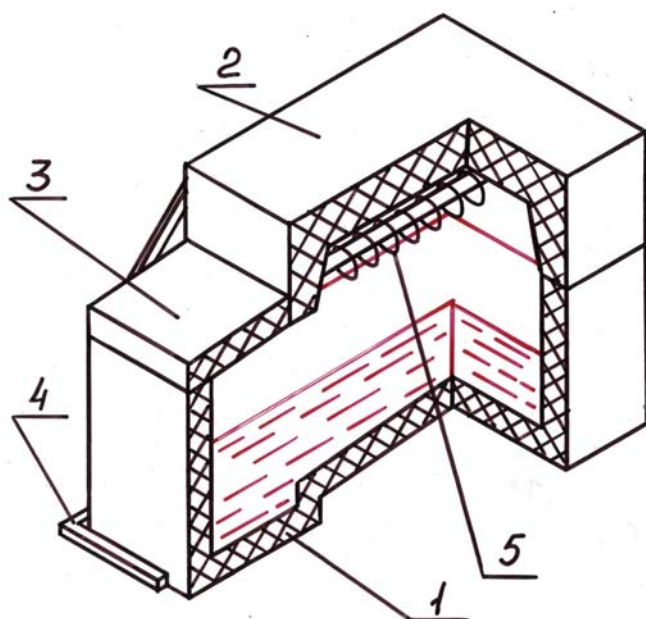
### Destination of furnaces :

- for the melting of metal, heating of liquid metal up to defined temperature, keeping of liquid metal under defined temperature.

### Technical characteristics of furnaces

Type of furnace	Capacity, kg	Productivity of melting, kg/hour	Capacity, kWt			Dimensions, mm
			Under melting of metal	Under keeping of liquid metal	Under distributing of liquid metal from furnace	
ППП-250	250	30	36	7	8-15	1420×770× ×760
ППП-400	400	50	45	8	9-18	1420×770× ×860
ППП-640	640	75	55	10	12-20	1900×990× ×1200
ППП-1000	1000	100	65	12	15-25	1900×990× ×1400

Supply of furnaces – 380/220 V, 50 Hz, three-phase alternating current.



### Construction of furnaces

- 1 – crucible
- 2 – chamber of heating
- 3 – lids
- 4 – pedal
- 5 – nichrome spirals

Guarantee life time of crucible lining – 9 months, that one of heating chamber and lids – 2 years.

**Please forward your proposals and suggestions to:**

34/1 Vernadsky Avenue, 03680, Kiev-142, Ukraine, Physico-Technological Institute of Metals and Alloys of the National Academy of Sciences of Ukraine. Tel. (044) 444-35-15, Fax (044) 459-50-29, E-mail:metal@ptima.kiev.ua