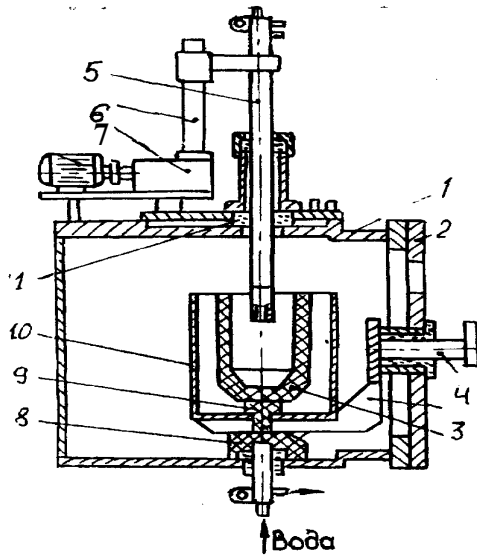




## Small plasma furnaces

**MPP-1**

for metal melting in inert atmosphere

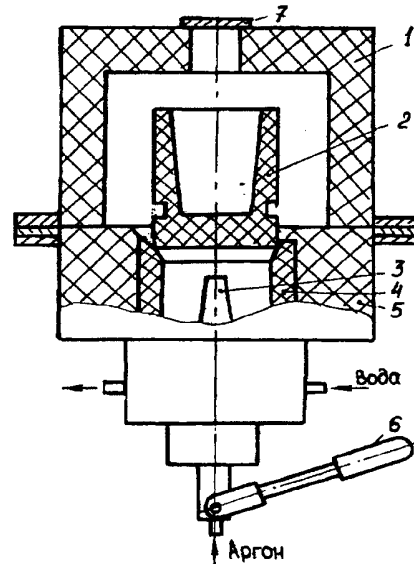


- 1 – body; 2 – lid; 3 – melting crucible;
- 4 – turning device; 5 – plasma generator;
- 6 – reductor; 7 – electrode lead;
- 8 – water-cooled anode;
- 9 – graphite core; 10 – metallic shell

**MPP-2**

**Purpose:**

for the melting of non-ferrous metals in electro-conductive crucible



- 1 – lid; 2 – crucible;
- 3 – central movable electrode; 4 – plasma heater;
- 5 – lining; 6 – handle; 7 – plate

### Technical data:

Names, units	MPP-1	MPP-2
Direct current plasma generator power, kW	40,0	
Furnace power, kW		10-16
Working voltage, V	50-60	35-40
Strength of direct current, A	400-500	300-400
Crucible capacity, dm <sup>3</sup>	2,5	0,4-0,5
Consumption of plasma-generating gas/argon GOST 10157-79, l/min.	2-8	0,5-1,0
Electric power consumption, kWth/kg	0,6-1,0	0,8-1,0
Water consumption for cooling, l/min	5,0	2,0
Dimensions, mm	800x1200	500x500x800